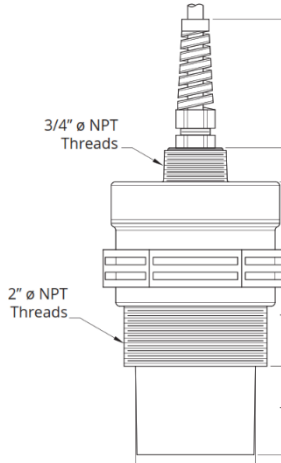


# APG Ultrasonic Fuel Sensor



Wiring Pigtail

Pigtail (2 Twisted Pairs)	Modbus	
	Red	8 - 24 VDC
Black	DC Ground	
Green	B (TX-)	
White	A (TX+)	
Shield Drain	Earth Gnd at IS Barrier or Supply	

Please contact support if you have questions regarding the setup of this sensor.

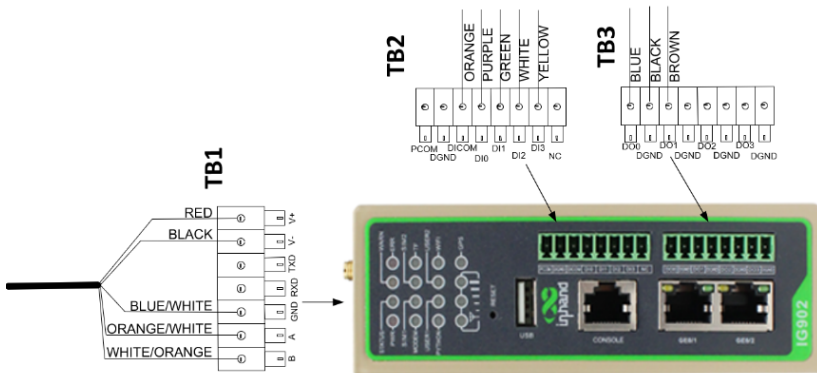
Once the following measurements are obtained from the tank, the fuel sensor can be programmed remotely:

1. Distance from sensor to bottom of tank.
2. Distance from sensor to full level.

If sensor is to be used alongside other RS485 devices, these settings need to be used for all associated devices:

- Baud: 9600
- Data bits: 8
- Parity: None
- Stop Bits: 1

Generac Gateway Side Termination	Description	Fuel Sensor Wire Colors
TB1 V+	DC+	Red
TB1 V-	DC-	Black / SHLD
TB1 A	Data +	White
TB1 B	Data -	Green



Generac Power Systems  
S45 W29290 Hwy. 59, Waukesha WI 53189

Generac.com/Industrial  
1-888-234-3212 option 4

©2023 Generac Power Systems. All rights reserved.  
Specifications are subject to change without notice.

**GENERAC** INDUSTRIAL POWER