

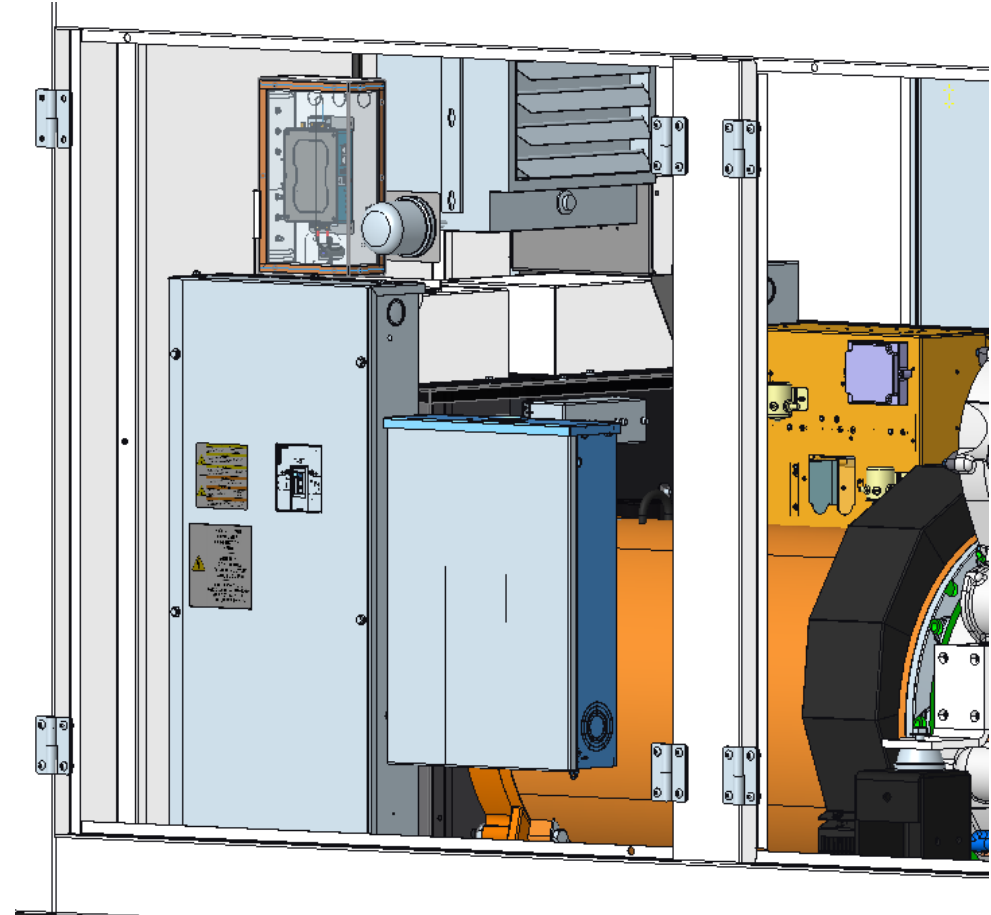
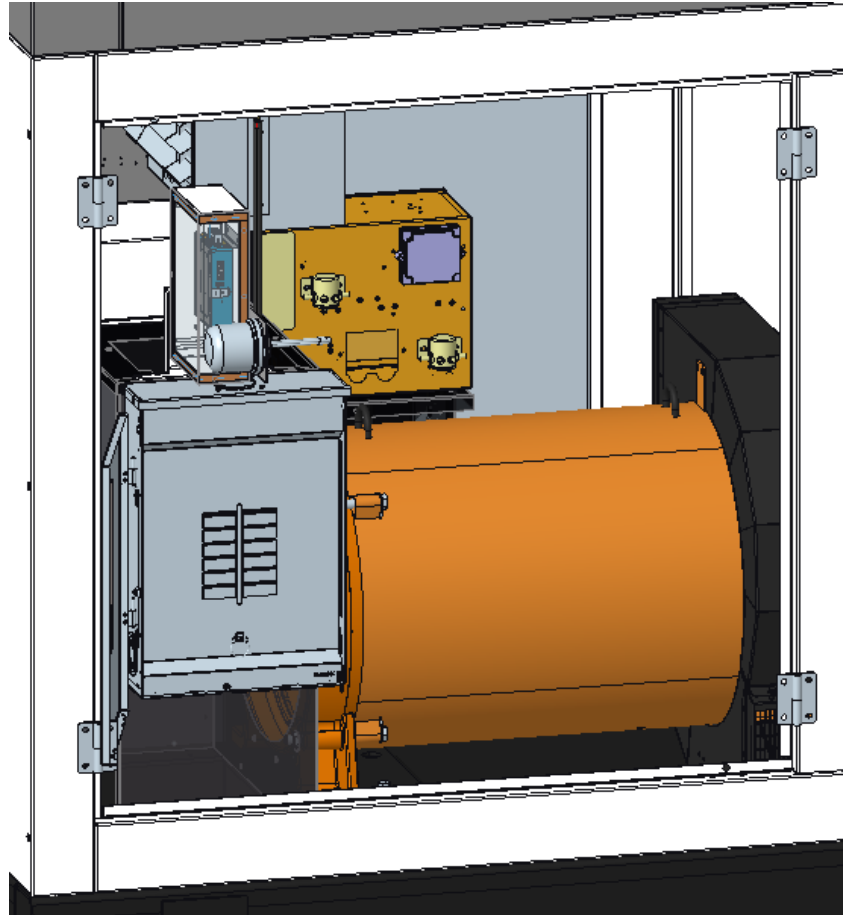
# MIRALINK GATEWAY FULFILLMENT LOCATIONS

## INDUSTRIAL PRODUCT LINE

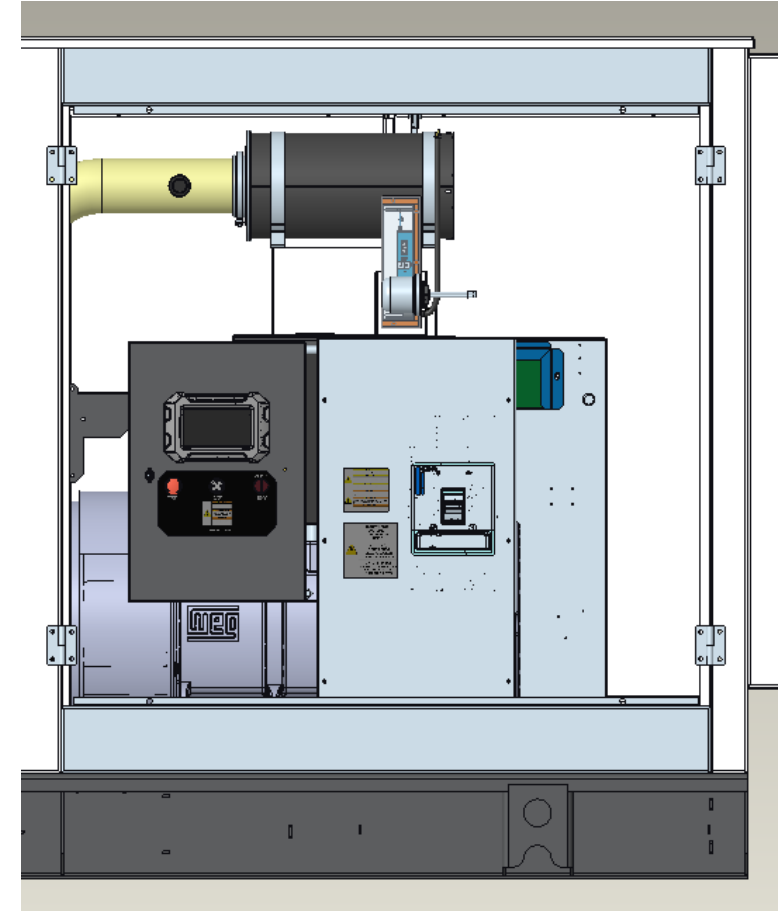
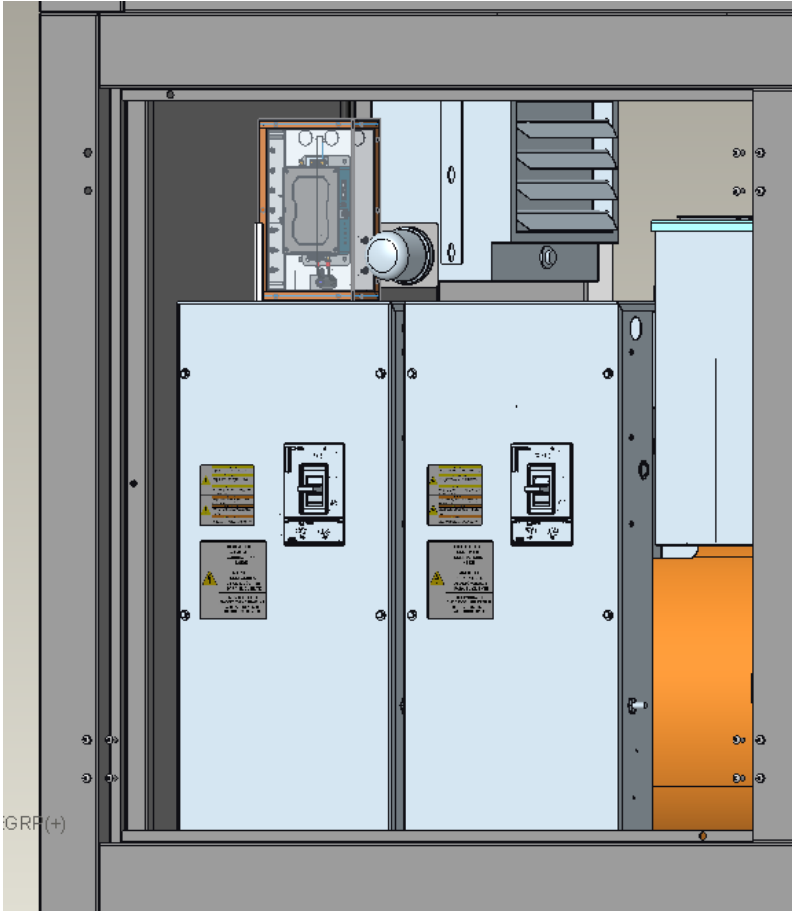
D8.7L, D10.3L, D12.9L, D12.5L, D15.2L, D18.1L,  
D30.6L, GEMINI, D33.9L, D49L, D65.4L  
G14.2L, G21.9L, G25.8L, G33.9L, G49L

# UNITS WITH 520 ALTERNATOR 1CB – 2CBs

D8.7L, D10.3L, D12.9L, D12.5L, G14.2L, G21.9L

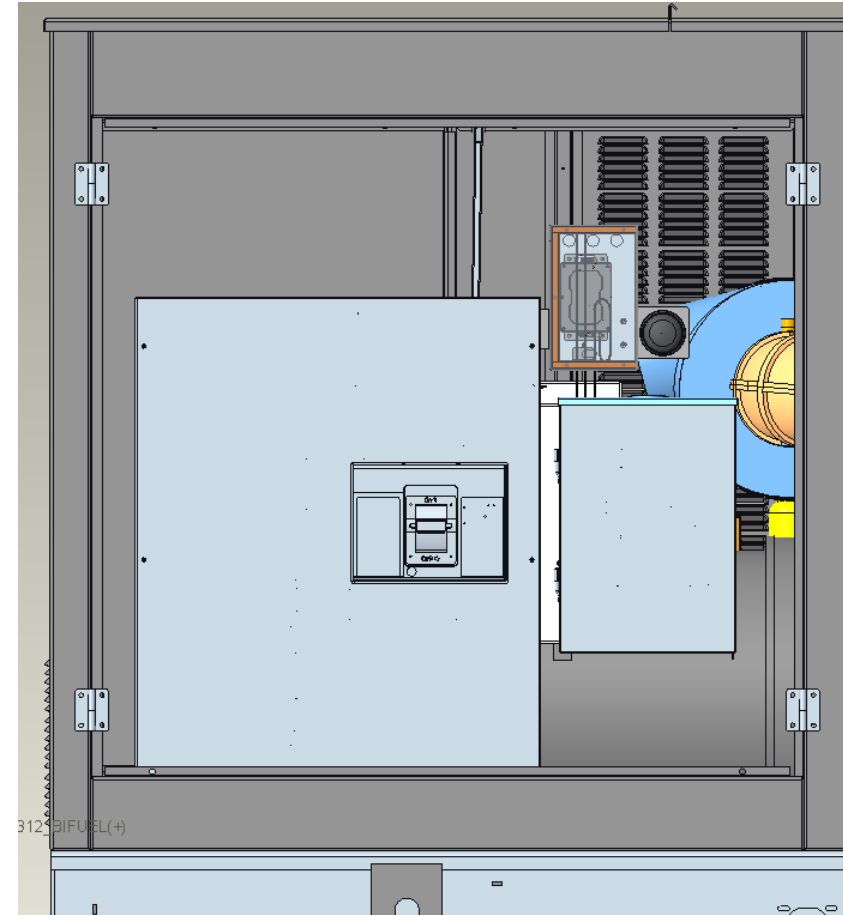
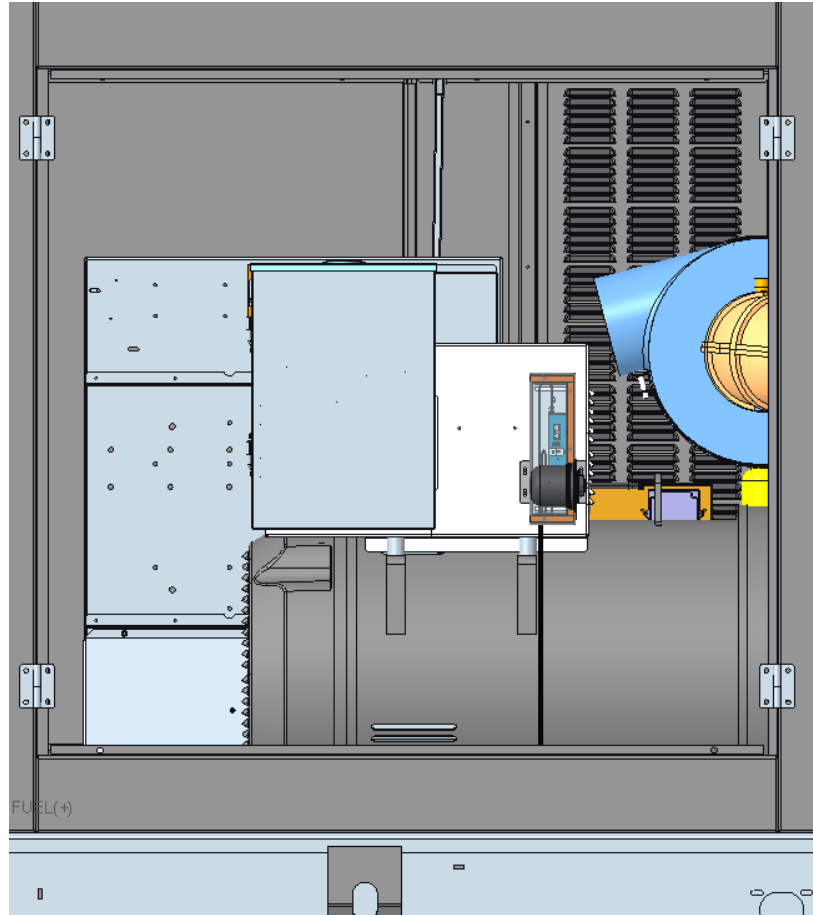


# UNITS WITH 520 ALTERNATOR 3CBs OR WITH WEG 280 ALTERNATOR G14.2L



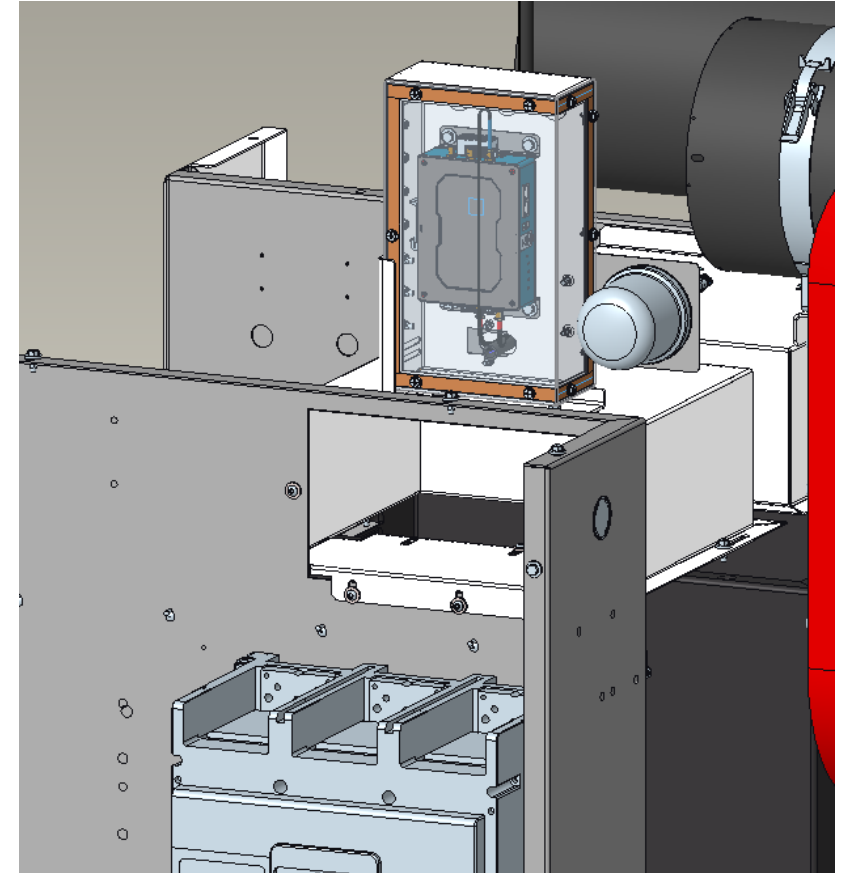
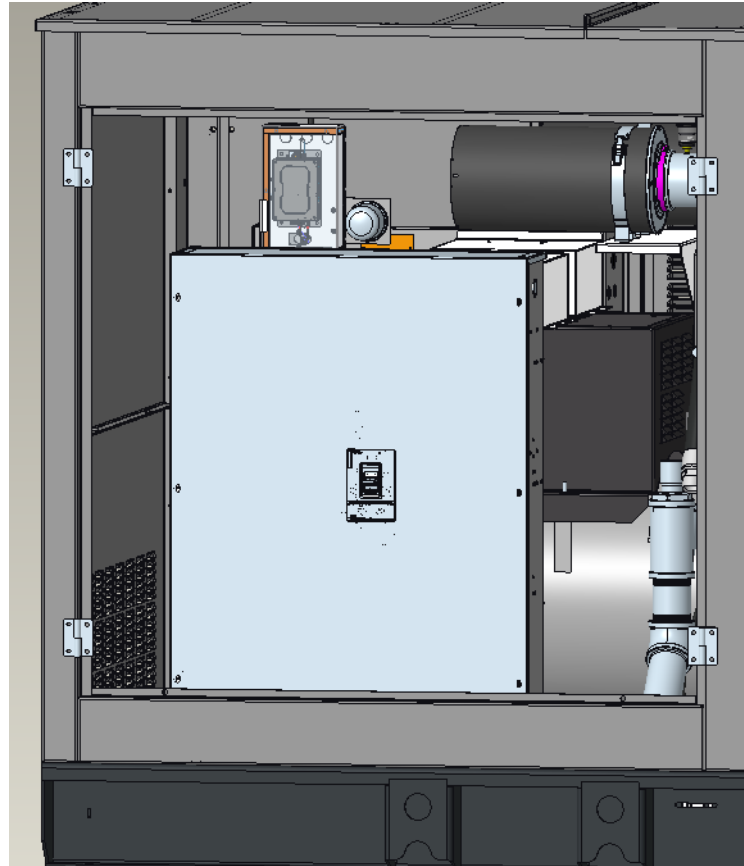
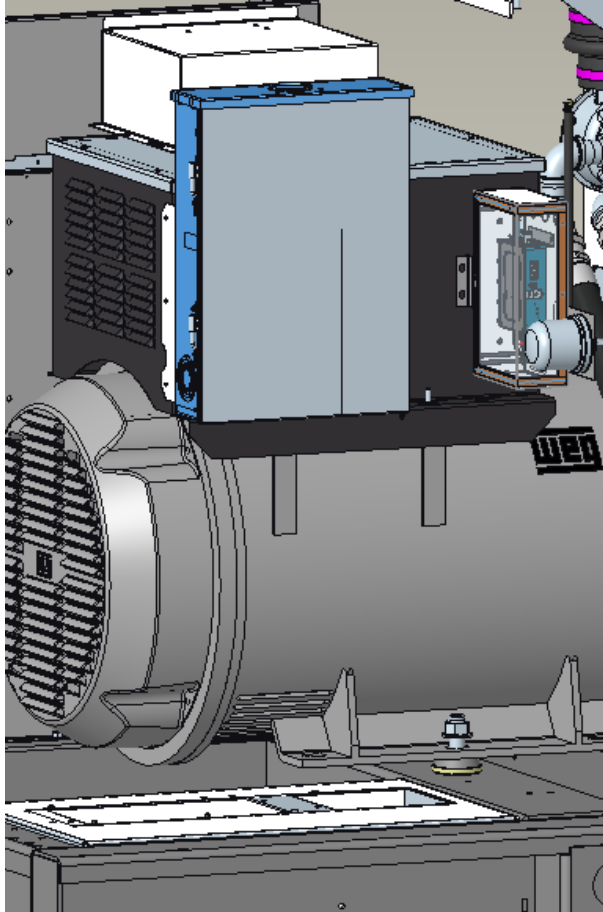
# UNITS WITH WEG 311 / 312 ALTERNATOR

DIESELS: D10.3L, D12.9L, D12.5L, D15.2L, D18.1L



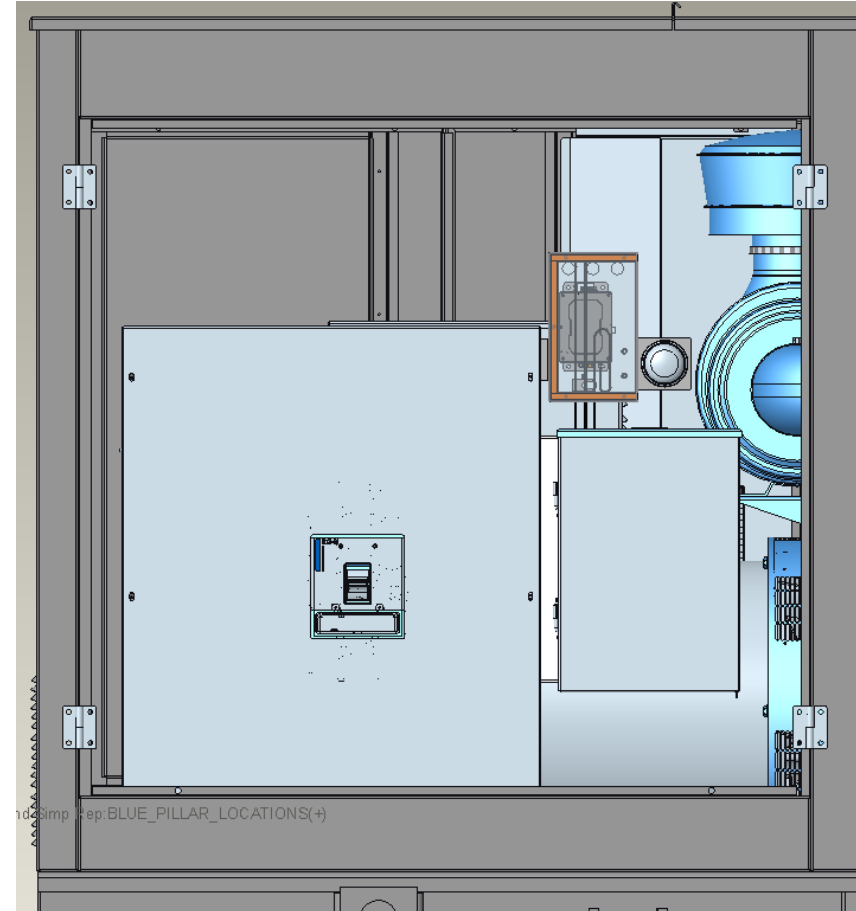
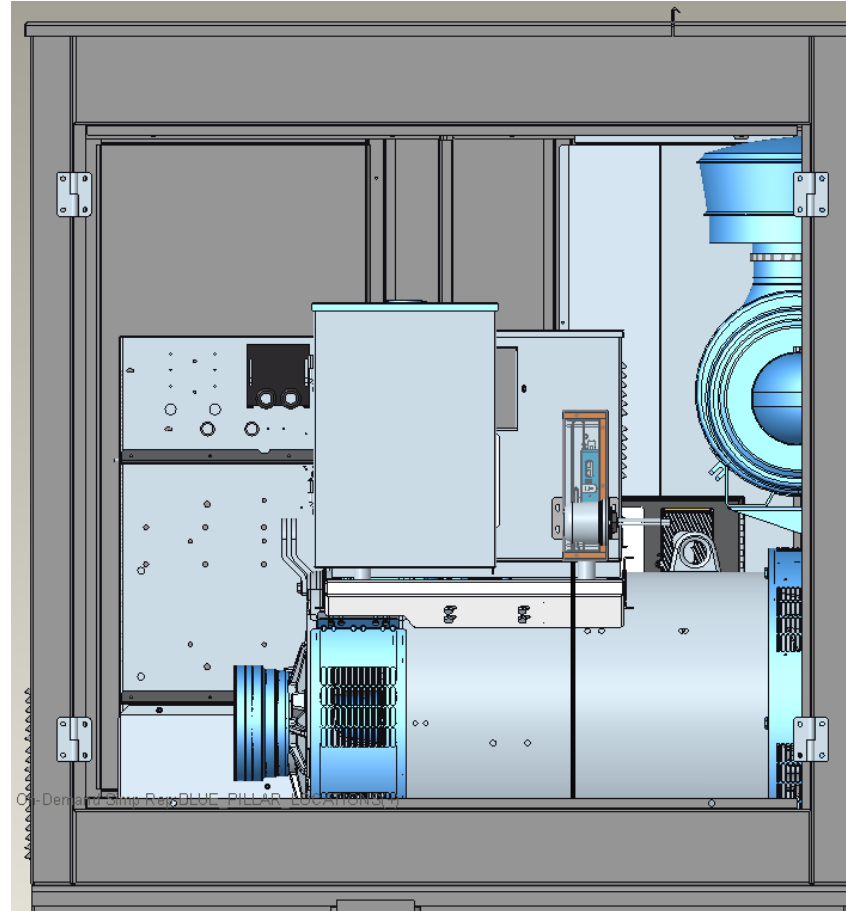
# UNITS WITH WEG 311 / 312 ALTERNATOR

GAS: G21.9L, G25.8L

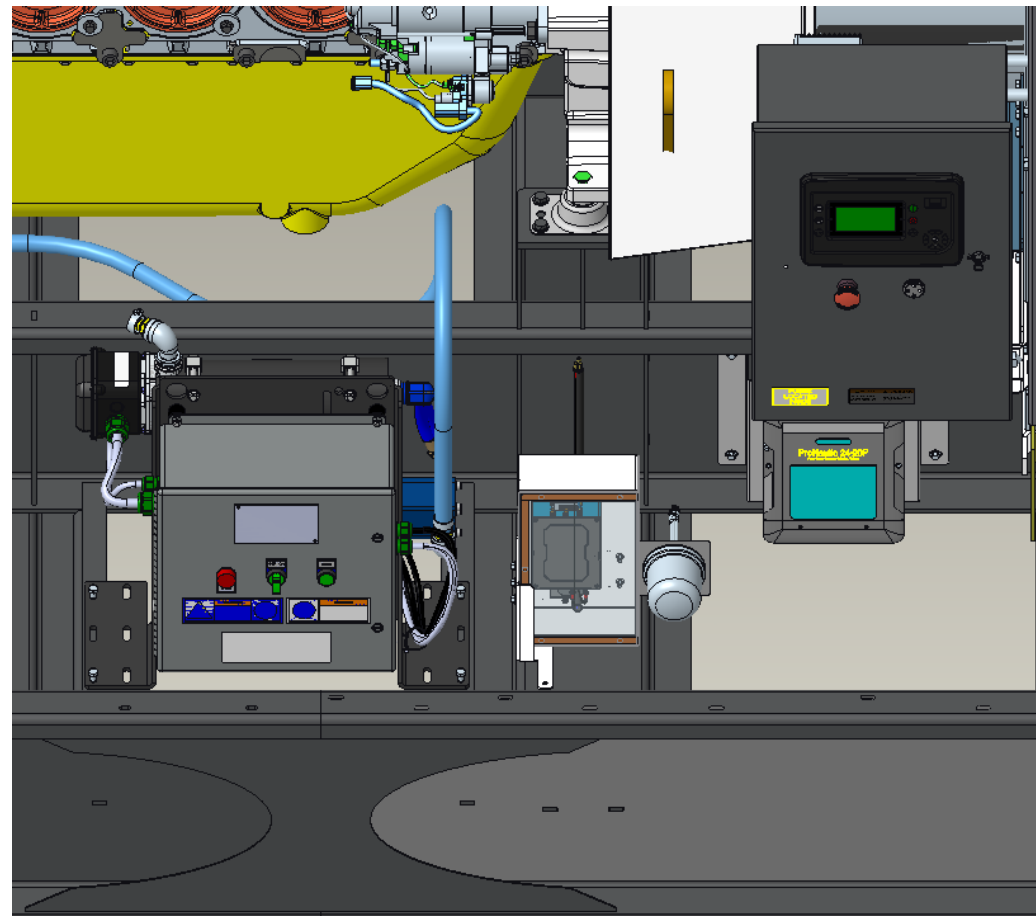
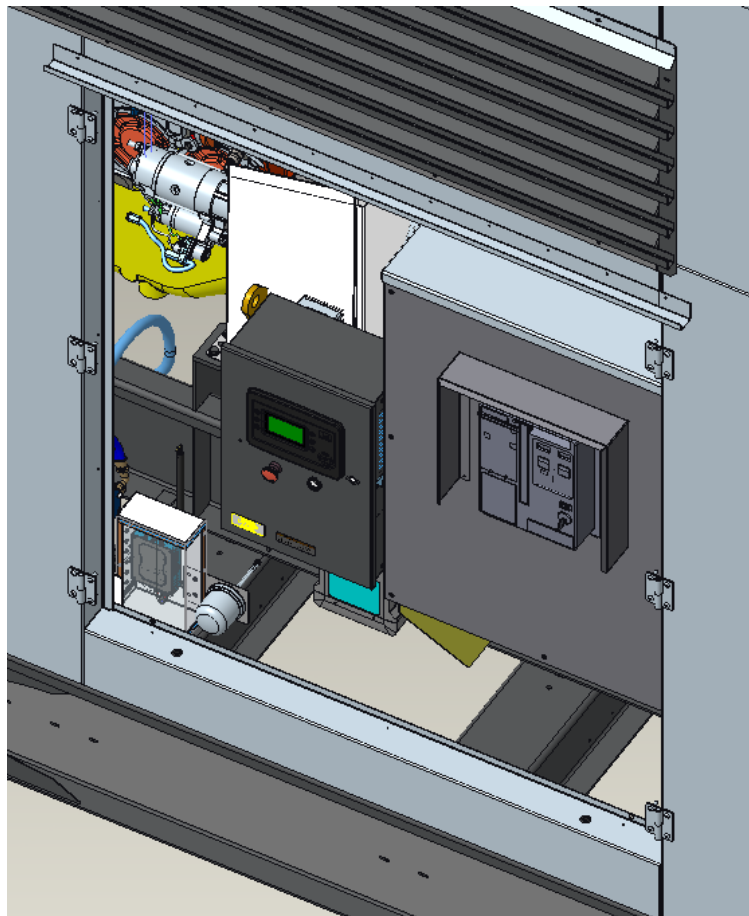


# UNITS WITH TAL0473 & TAL049 ALTERNATOR

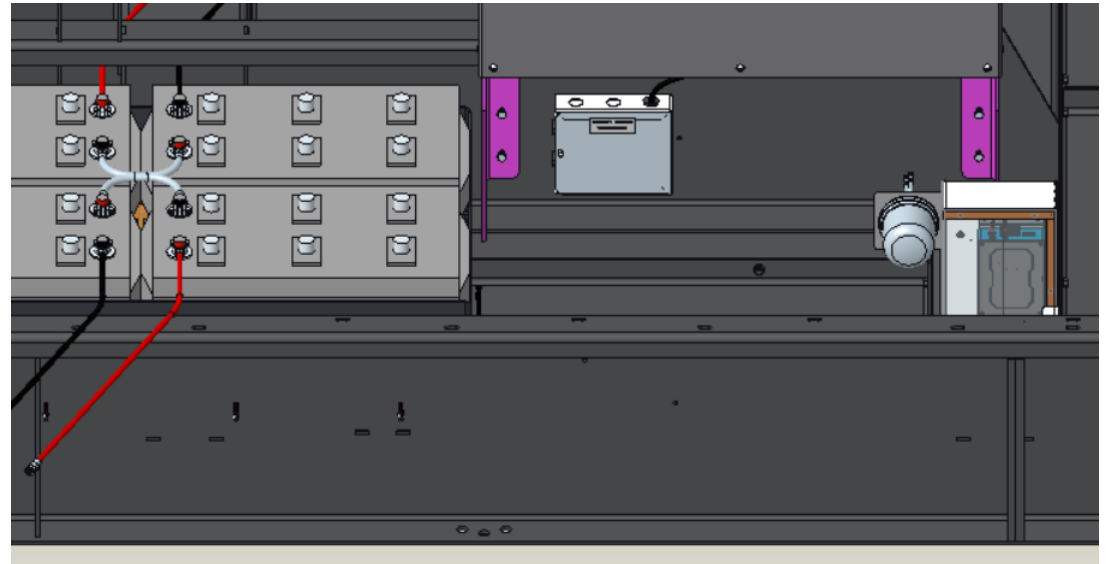
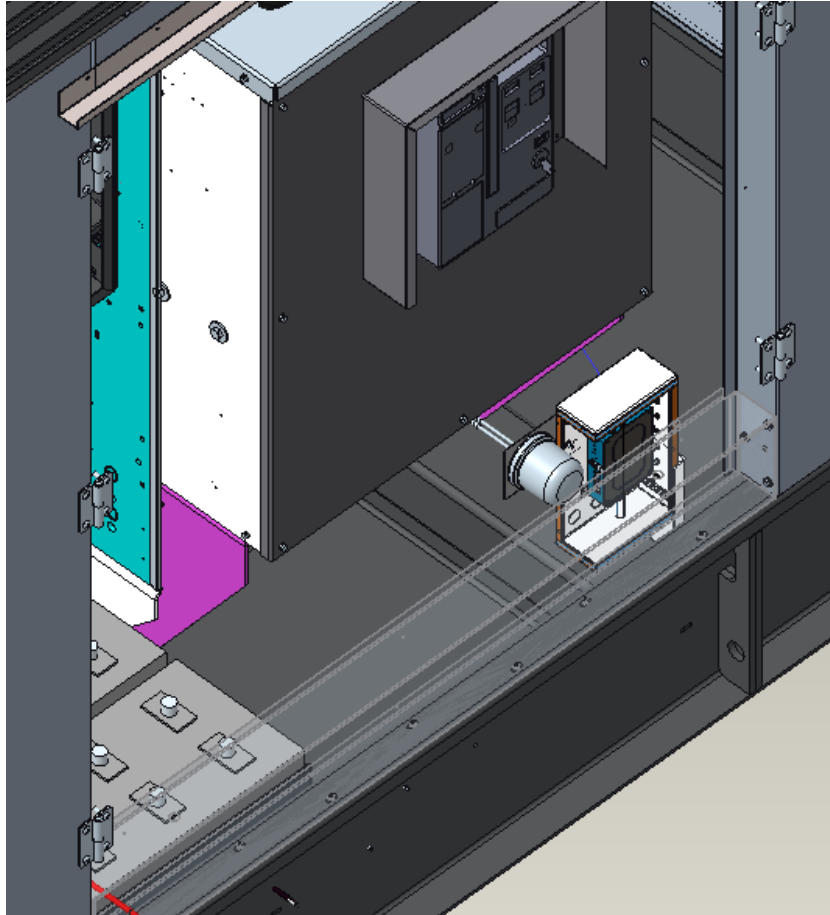
D18.1L



# D30.6L UNITS



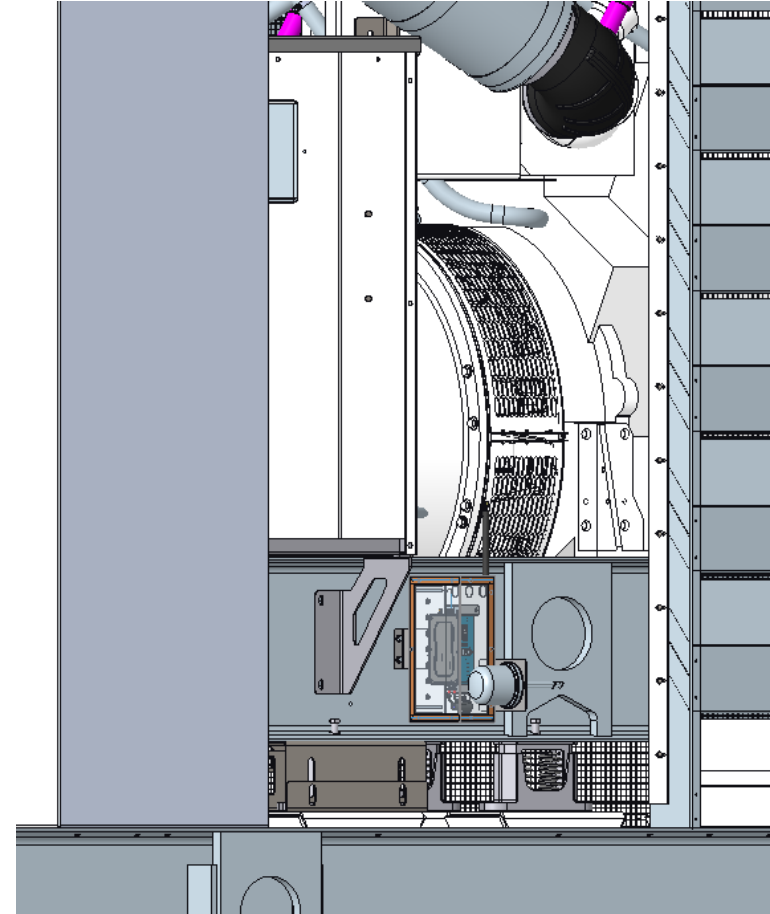
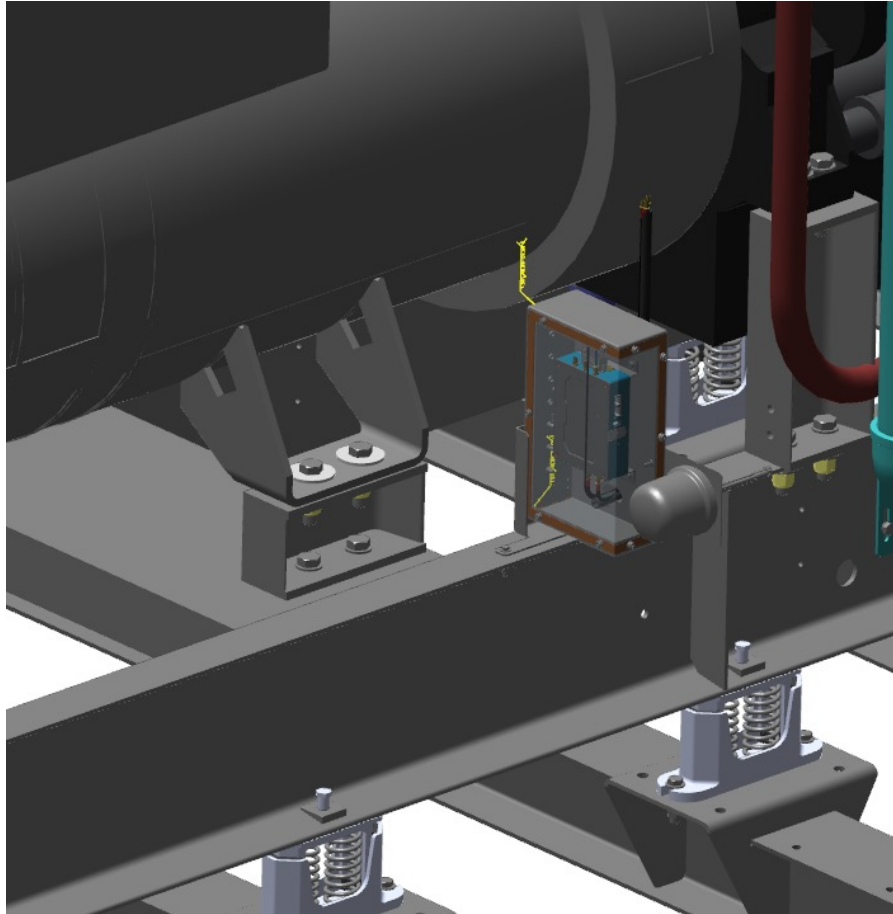
# G49L UNITS



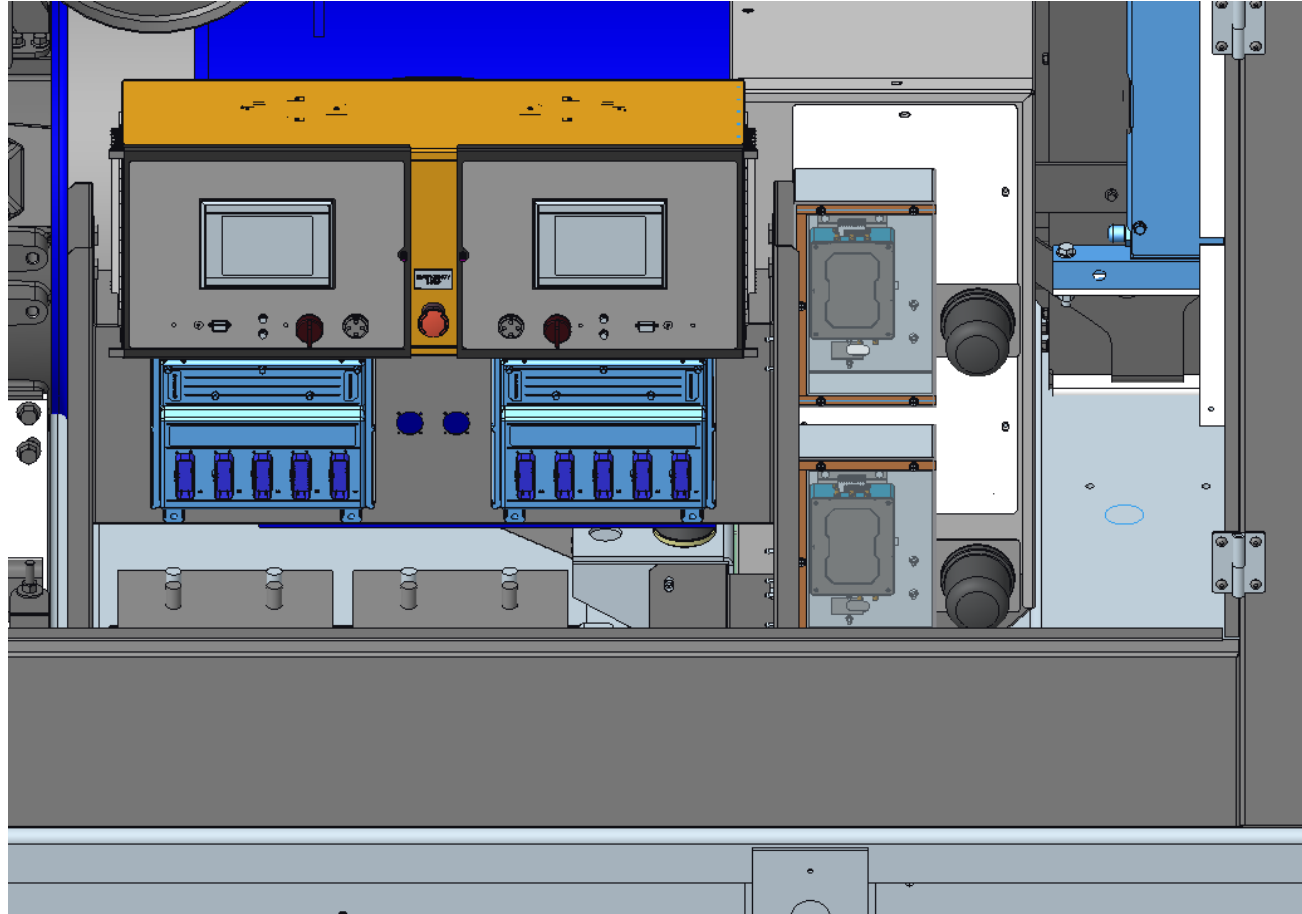


# LEGACY BALDOR & G33.9L UNITS

D33.9L, D37.1L, D49L, D65.4L, G33.9L



# GEMINI – Yes Two Gateways



# EXTENSION CABLE KITS – SHIPPED LOOSE

