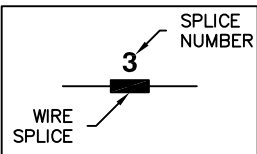


EC300 GATEWAY DSE G8601 WIRING

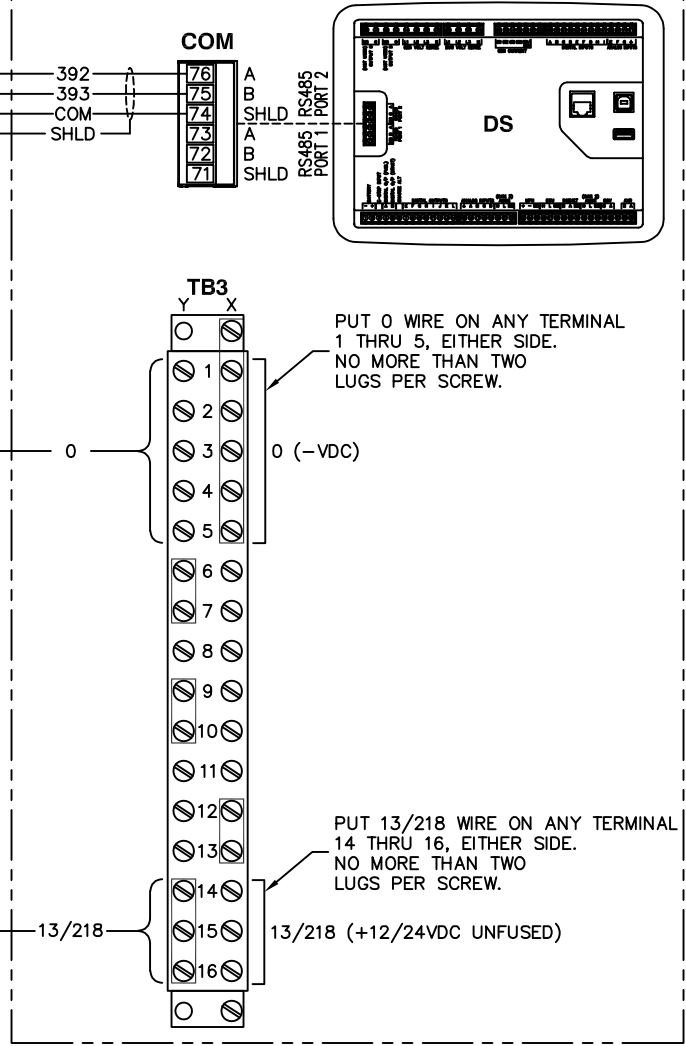
LEGEND
 COM - COMMUNICATIONS PORT
 DS - DSE G8601 CONTROLLER
 EC - EC300 GATEWAY MODULE
 F_ - IN-LINE FUSE
 TB_ - TERMINAL BLOCK



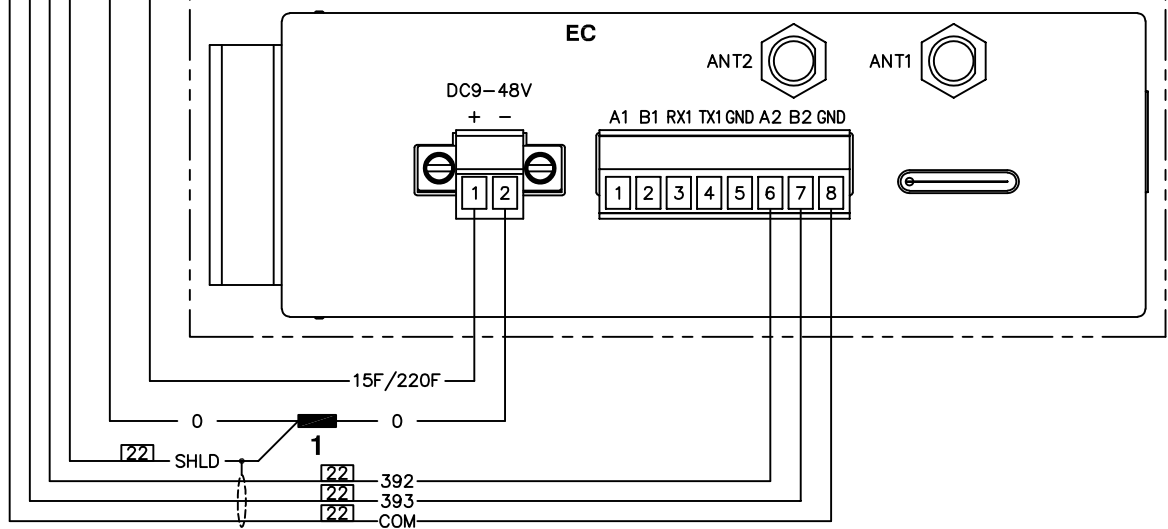
NOTE: ALL WIRES 18 AWG
 UL LISTED UNLESS
 SHOWN OTHERWISE

NOTES:
 1. FOR WIRING TO TB3 CONNECTIONS,
 RECOMMENDED TIGHTENING TORQUE: 12 LB-IN

COMPONENTS LOCATED IN CONTROL PANEL



COMPONENTS LOCATED IN EC300 BOX



PAGE LEFT BLANK INTENTIONALLY