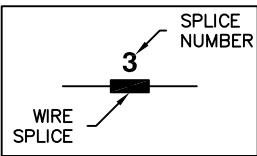


EC300 GATEWAY POWER ZONE PRO SYNC WIRING

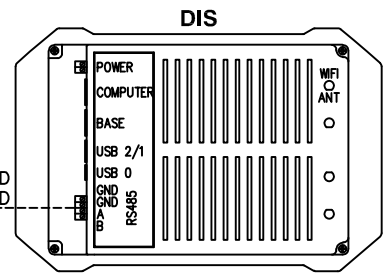
LEGEND
 COM - COMMUNICATIONS PORT
 DIS - POWER ZONE PRO SYNC DISPLAY
 EC - EC300 GATEWAY MODULE
 F_ - IN-LINE FUSE
 TB_ - TERMINAL BLOCK



NOTE: ALL WIRES 18 AWG
 UL LISTED UNLESS
 SHOWN OTHERWISE

NOTES:
 1. FOR WIRING TO TB3 CONNECTIONS,
 RECOMMENDED TIGHTENING TORQUE: 12 LB-IN

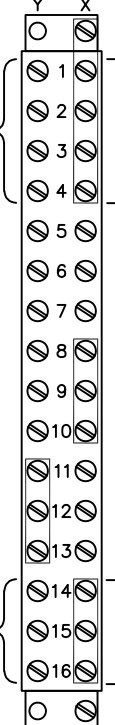
COMPONENTS LOCATED IN CONTROL PANEL



COM



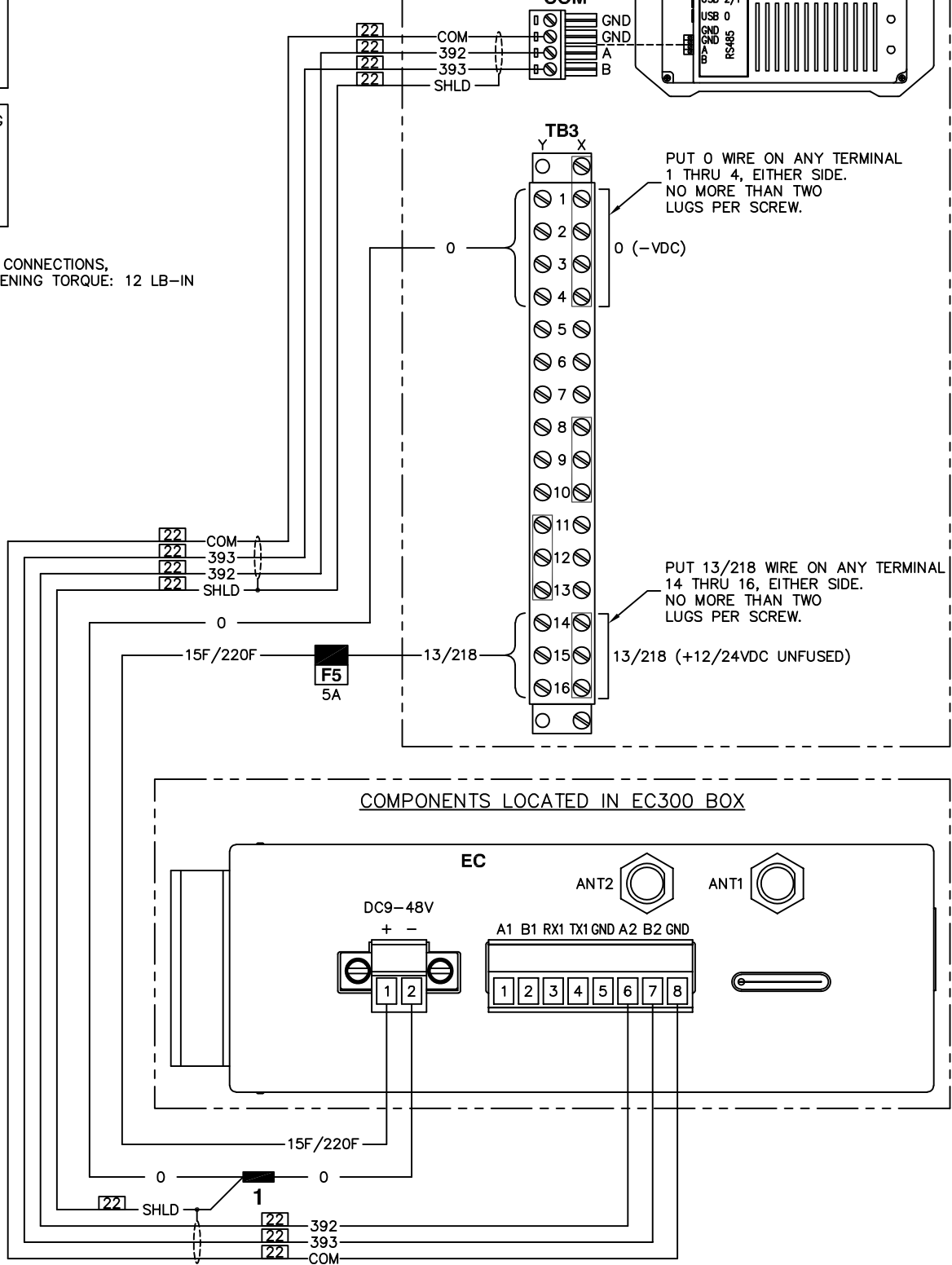
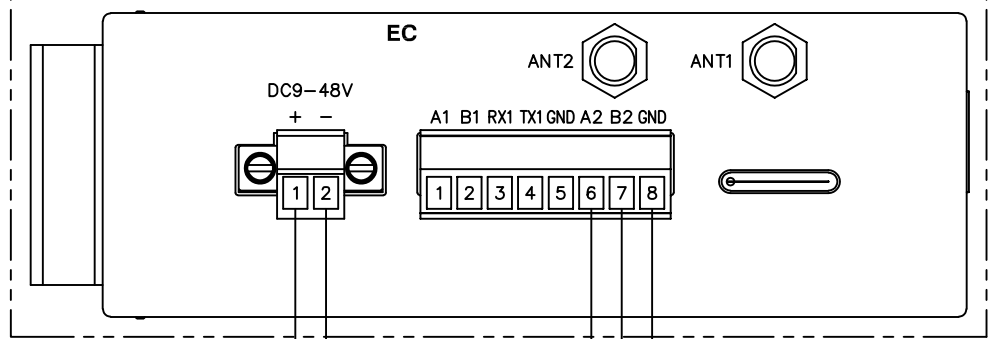
TB3



PUT 0 WIRE ON ANY TERMINAL
 1 THRU 4, EITHER SIDE.
 NO MORE THAN TWO
 LUGS PER SCREW.

PUT 13/218 WIRE ON ANY TERMINAL
 14 THRU 16, EITHER SIDE.
 NO MORE THAN TWO
 LUGS PER SCREW.

COMPONENTS LOCATED IN EC300 BOX



PAGE LEFT BLANK INTENTIONALLY