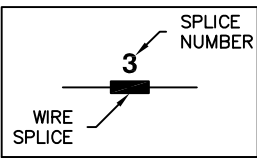


EC300 GATEWAY H-PANEL WIRING

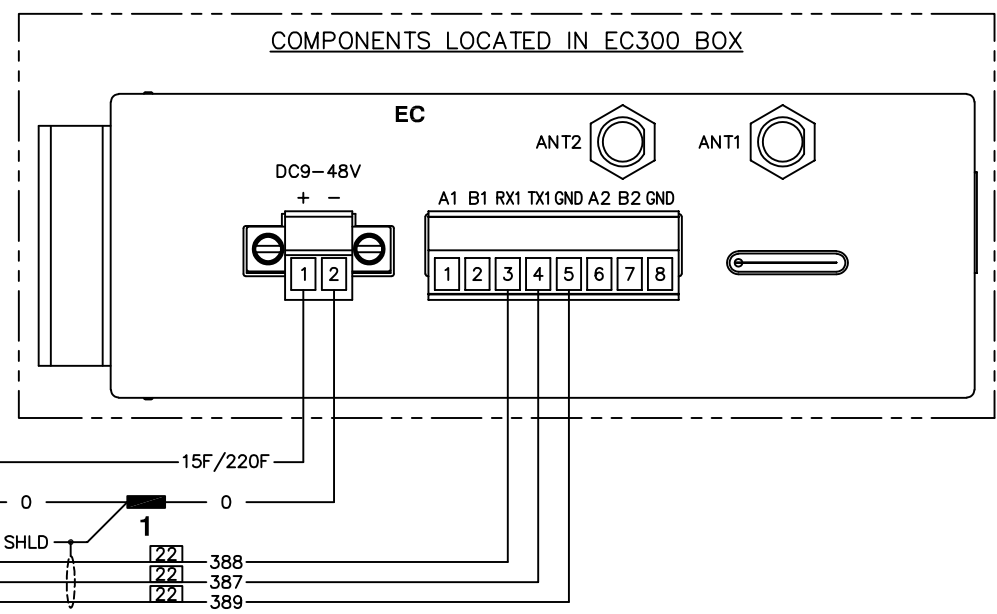
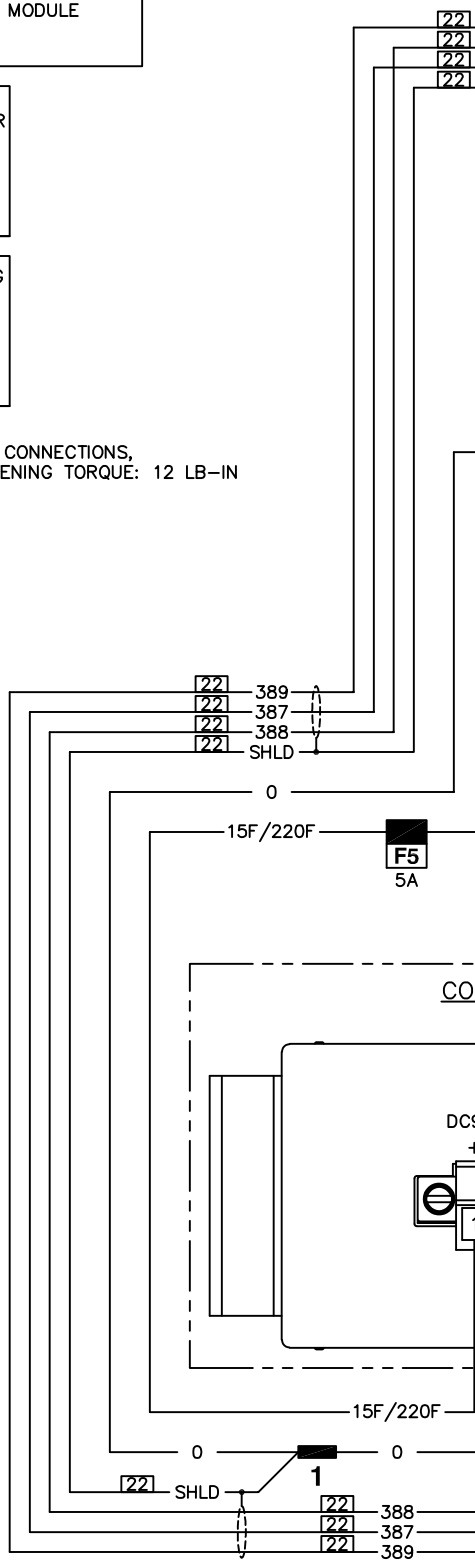
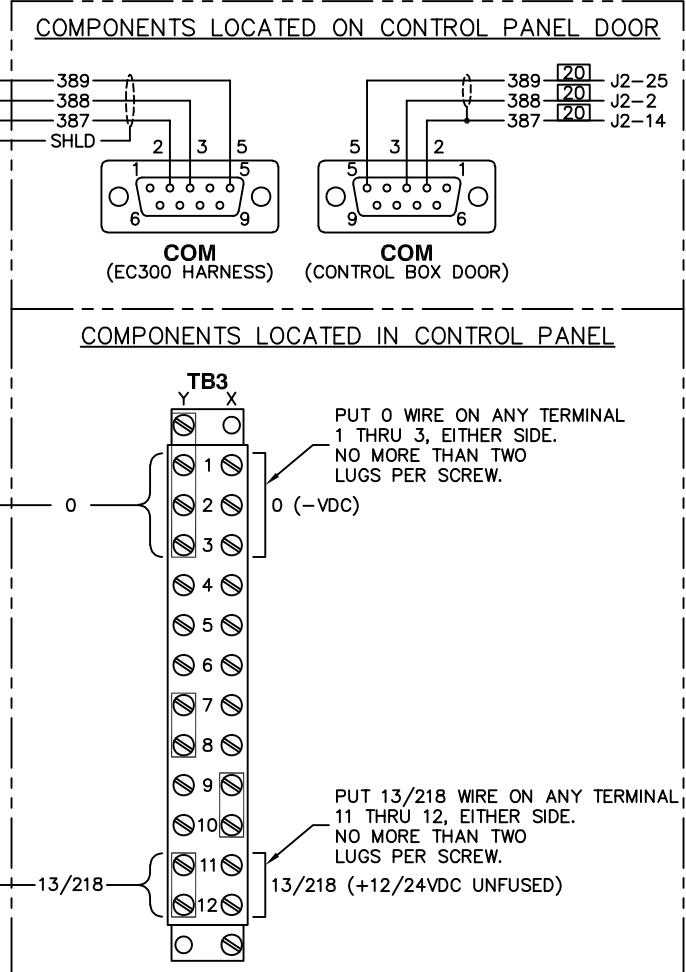
**LEGEND**  
 COM - COMMUNICATIONS PORT  
 EC - EC300 GATEWAY MODULE  
 F\_ - IN-LINE FUSE  
 TB\_ - TERMINAL BLOCK



NOTE: ALL WIRES 18 AWG  
 UL LISTED UNLESS  
 SHOWN OTHERWISE

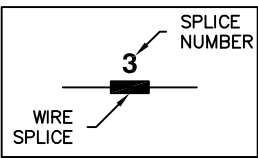
AWG SIZE  
12

NOTES:  
 1. FOR WIRING TO TB3 CONNECTIONS,  
 RECOMMENDED TIGHTENING TORQUE: 12 LB-IN



EC300 GATEWAY G-PANEL WIRING

**LEGEND**  
 COM - COMMUNICATIONS PORT  
 EC - EC300 GATEWAY MODULE  
 F\_ - IN-LINE FUSE  
 TB\_ - TERMINAL BLOCK



NOTE: ALL WIRES 18 AWG  
 UL LISTED UNLESS  
 SHOWN OTHERWISE

AWG SIZE  
12

NOTES:  
 1. FOR WIRING TO TB3 CONNECTIONS,  
 RECOMMENDED TIGHTENING TORQUE: 12 LB-IN

