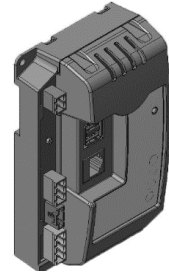
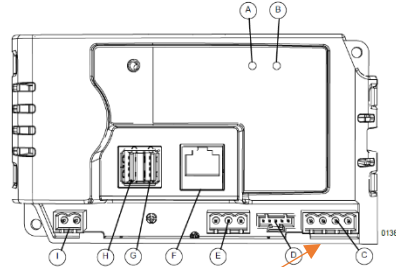


Generac Power Zone Pro (via RS485)

Power Zone Gateway



Aux RS485 Port

Expected comm settings:
 Serial Port: RS485 Built In
 Unit ID: 1
 Baud rate: 9600
 Parity: None
 Stop Bits: 1
 Mode: Modbus Gateway
 If different settings are required, please contact support.

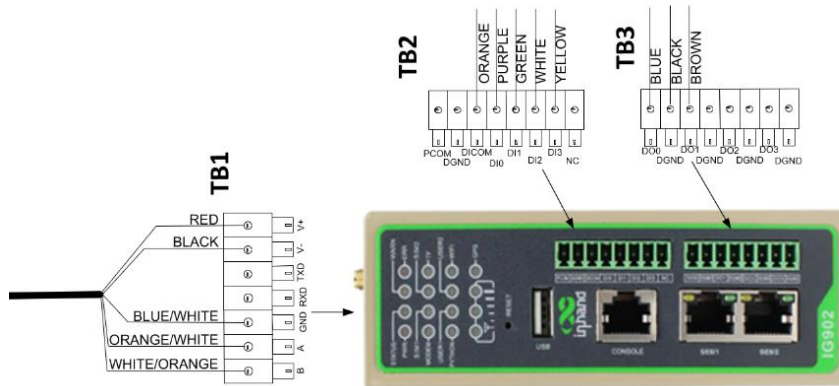
Generac Gateway Side Termination	Description	Wire Color	Customer Side Terminations
TB1 V+	DC+	Red	B+*
TB1 V-	DC-	Black	B-*
TB1 A	Data +	Orange / White	A-12
TB1 B	Data -	White / Orange	B-14
TB1 GND	Data GND	White / Blue	SCR-11
Harness Relay #1	COM	Blue	2-Wire Start
	N/O	White / Blue	

Modbus connection to be made at the Aux RS485 port on the Power Zone Gateway. Terminal block included in gateway kit. To make changes to serial port key, switch must be in Off position. To confirm port settings use steps below.

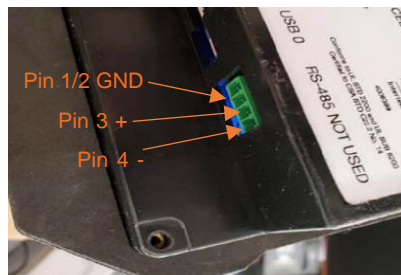
Firmware version 1.21.9 and prior:
 Setup > Communications > Modbus Pass Thru > Modbus RTU **Enable** toggle is selected and settings must match values provided above.

Firmware version 1.22.1 or newer:
 Setup > Communications > External Interfaces > Configure under RS485 Built In. Confirm settings match values provided above.

*If MODEM and signal lights turn off and data is lost after crank, this can indicate a brief loss of power. To correct, ensure red and black wires are connected directly to battery posts.



Generac Power Zone Pro Sync (via RS485)



Aux RS485 Port
(Pin 1 at top, Pin 4 at bottom as shown)

Generac Gateway Side Termination	Description	Wire Color	Customer Side Terminations
TB1 V+	DC+	Red	B+*
TB1 V-	DC-	Black	B-*
TB1 A	Data +	Orange / White	3 - RS485+
TB1 B	Data -	White / Orange	4 - RS485-
TB1 GND	GND	White / Blue	2 - GND
Harness Relay #1	COM	Blue	2-Wire Start
	N/O	White / Blue	

Expected comm settings:

Serial Port: RS485 Built In
Unit ID: 1
Baud rate: 9600
Parity: None
Stop Bits: 1
Mode: Modbus Gateway

If different settings are required, please contact support.

Modbus connection to be made at auxiliary port labeled as *RS485 NOT USED* on back of monitor. Terminal block included in gateway kit.

Firmware version 1.21.9 or older:
Setup>Communications>Modbus Pass Thru>Modbus RTU **Enable** toggle is selected and settings match values provided above.

Firmware version 1.22.1 or newer:
Setup>Communications>External Interfaces>Configure under RS485 Built In. Confirm settings match values provided above.

*If MODEM and signal lights turn off and data is lost after generator crank, this can indicate a brief loss of power. To correct, ensure red and black wires are connected directly to the battery posts.

