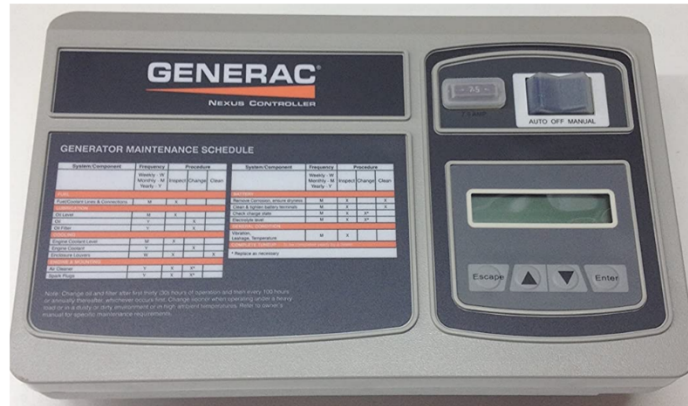
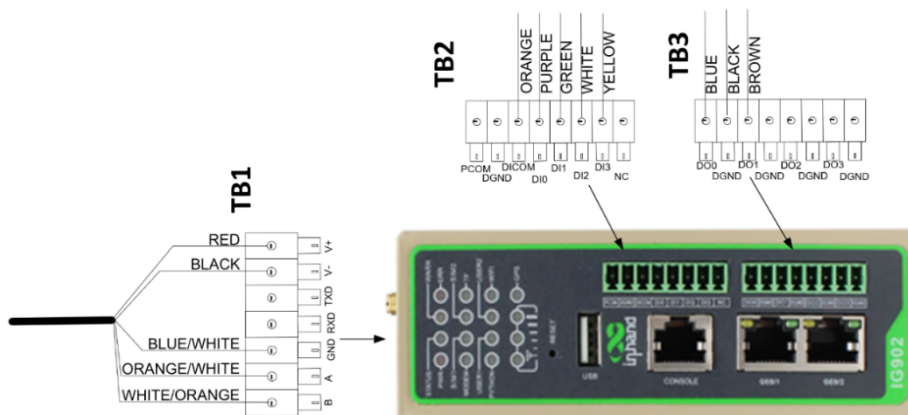


# Generac Nexus – Liquid Cooled



Generac Gateway Side Termination	Description	Wire Color	Customer Side Terminations
TB1 V+	DC+	Red	B+*
TB1 V-	DC-	Black	B-*
TB2 DICOM	Input Common	Orange	B-
TB2 DI0	Engine Running	Purple	Fuel Solenoid+
TB2 DI2	Common Alarm	B+	Wire 209
		White	Wire 210
Harness Relay #1	COM	Blue	2-Wire Start
	N/O	White / Blue	

\*If MODEM and signal lights turn off and data is lost after gen crank, this can indicate a brief loss of power. To correct, ensure red and black wires are connected directly to the battery posts.



Generac Power Systems  
S45 W29290 Hwy, 59, Waukesha WI 53189

Generac.com/Industrial  
1-888-234-3212 option 4

©2023 Generac Power Systems. All rights reserved.  
Specifications are subject to change without notice.

**GENERAC** INDUSTRIAL POWER