

Generac G Panel (Stand Alone)



Service Port



Provided Breakout Board

Generac Gateway Side Termination	Description	Wire Color	Customer Side Terminations
TB1 V+	DC+	Red	TB1-1*
TB1 V-	DC-	Black	TB1-2*
TB1 TXD**	Data Transmit	Orange/White	2-RXD**
TB1 RXD**	Data Receive	White/Orange	3-TXD**
TB1 GND**	Data GND	White/Blue	5-GND**
Harness Relay #1	COM	Blue	TB1-6
	N/O	White / Blue	TB1-5

Expected comm settings:

Address: 100

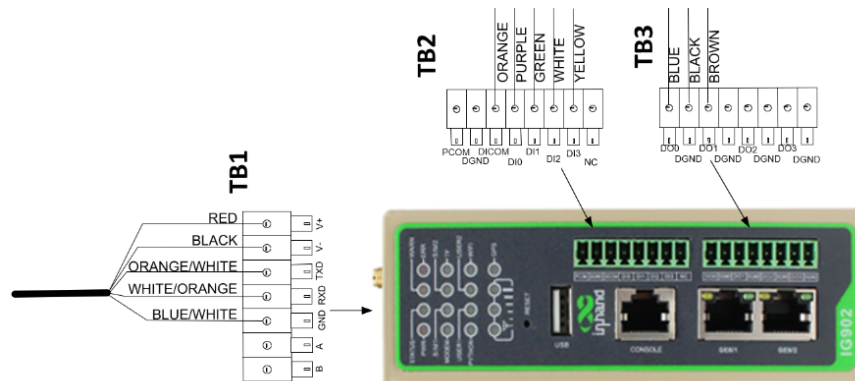
Baud Rate: 9600

Modbus Slave

If different settings are required, please contact support.

*If MODEM and signal lights turn off and data is lost after gen crank, this can indicate a brief loss of power. To correct, ensure red and black wires are connected directly to the battery posts.

**Confirm TB1 and breakout board connections match table as shown.



Generac Power Systems
S45 W29290 Hwy. 59, Waukesha WI 53189

Generac.com/Industrial
1-888-234-3212 option 4

©2023 Generac Power Systems. All rights reserved.
Specifications are subject to change without notice.

GENERAC INDUSTRIAL POWER