

Generac Evolution (Air Cooled)

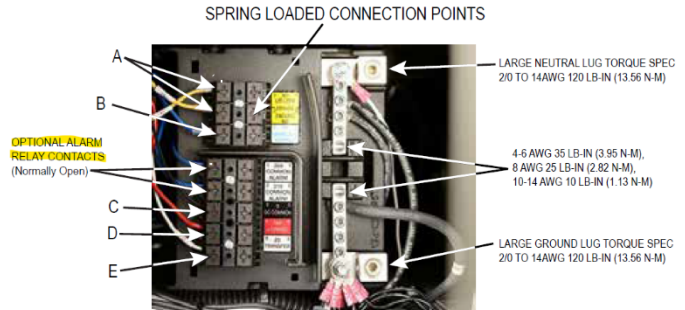


Figure 131. Evolution Control Wiring - 60 Hz (found behind control board)

Generac Gateway Side Termination	Description	Wire Color	Customer Side Terminations
TB1 V+	DC+	Red	*B+ Jump B+ to 209
TB1 V-	DC-	Black	*B-
TB2 DICOM	Input Common	Orange	B-
TB2 DI0	Engine Running	Purple	Fuel Solenoid + Red (Wire 14)
TB2 DI2	Common Alarm	White	210
Harness Relay #1	2 Wire Start	Blue	Remote Start - 178
		White / Blue	Remote Start - 183

*If MODEM and signal lights turn off and data is lost after gen crank, this can indicate a brief loss of power. To correct, ensure red and black wires are connected directly to the battery posts.

