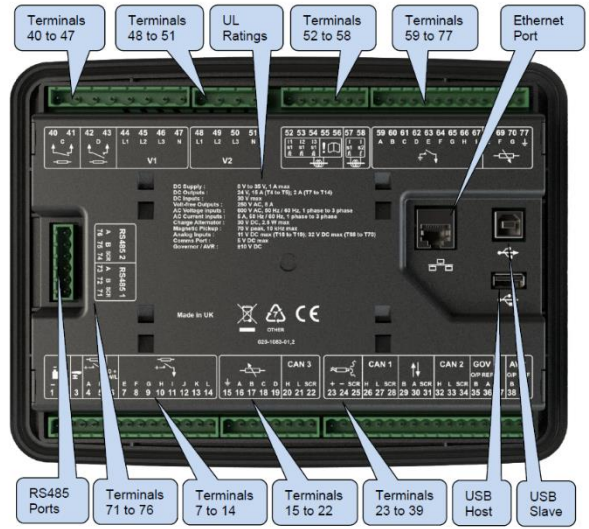


Deepsea G8600



Generac Gateway Side Termination	Description	Wire Color	Customer Side Terminations
TB1 V+	DC+	Red	2*
TB1 V-	DC-	Black	1*
TB1 A	Data +	Orange/White	76 - RS485 2 A+
TB1 B	Data -	White/Orange	75 - RS485 2 B-
TB1 GND	Data GND	White/Blue	74 - RS485 2 SCR
Harness Relay #1	COM	Blue	2 Wire Start
	N/O	White / Blue	2 Wire Start

To program RS485 port 2, connect to controller via USB or ethernet connection and the DSE Configuration Suite software. From left side pane navigate to G8600 Configuration – Communications – RS485 Ports. Update Port 2 settings to the below:

Server ID: 1
 Baud Rate: 9600
 Port Usage: Modbus server
 If different settings are required, please contact support.

*If MODEM and signal lights turn off and data is lost after gen crank, this can indicate a brief loss of power. To correct, ensure red and black wires are connected directly to the battery posts.

