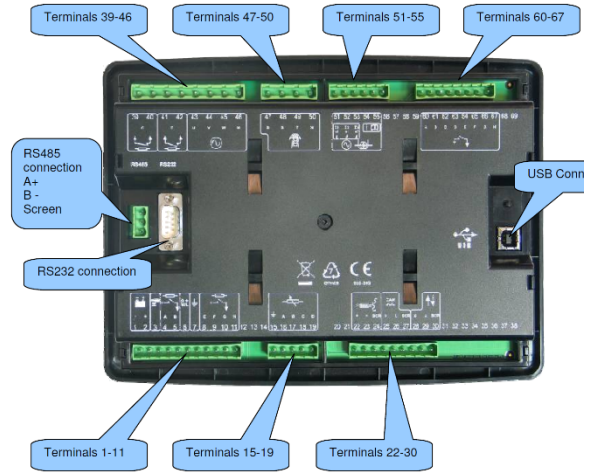


Deepsea 7310/7320



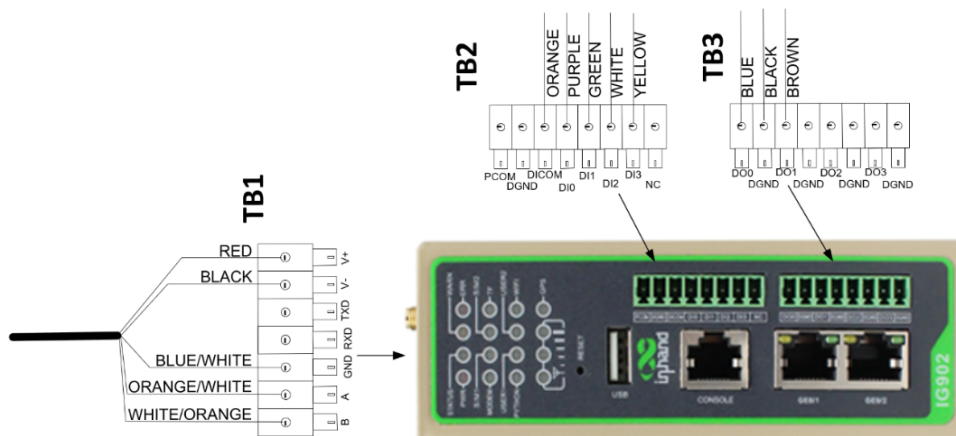
Generac Gateway Side Termination	Description	Wire Color	Customer Side Terminations
TB1 V+	DC+	Red	2*
TB1 V-	DC-	Black	1*
TB1 A	Data +	Orange/White	RS485 A+
TB1 B	Data -	White/Orange	RS485 B-
TB1 GND	Data GND	White/Blue	RS485 SCR
Harness Relay #1	COM	Blue	2 Wire Start
	N/O	White / Blue	2 Wire Start

Expected comm settings:
Address: 1

Baud Rate: 9600

If different settings are required, please contact support.

*If MODEM and signal lights turn off and data is lost after gen crank, this can indicate a brief loss of power. To correct, ensure red and black wires are connected directly to the battery posts.



Generac Power Systems
S45 W29290 Hwy. 59, Waukesha WI 53189

Generac.com/Industrial
1-888-234-3212 option 4

©2023 Generac Power Systems. All rights reserved.
Specifications are subject to change without notice.

GENERAC INDUSTRIAL POWER