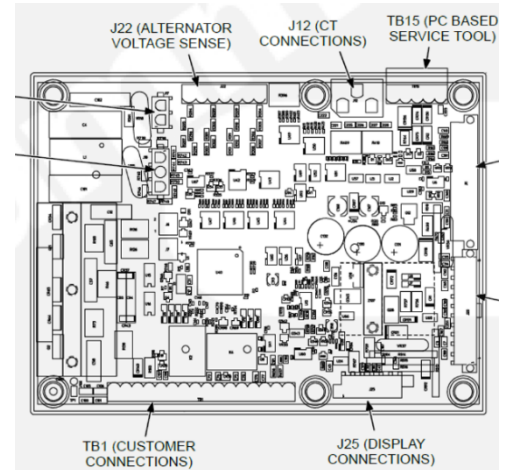


# Cummins PCC 1.X (1302)

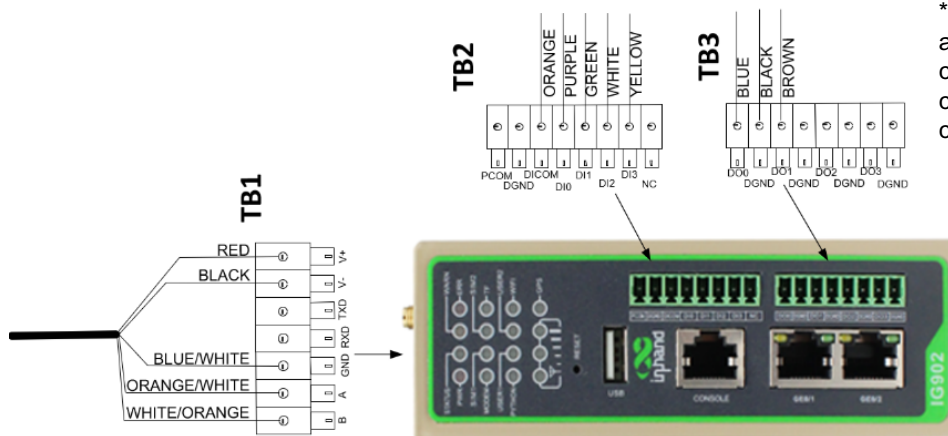


Control Board



Generac Gateway Side Termination	Description	Wire Color	Customer Side Terminations
TB1 V+	DC+	Red	TB1-5*
TB1 V-	DC-	Black	Ground Terminal*
TB1 A	Data +	Orange/White	TB15-3**
TB1 B	Data -	White/Orange	TB15-4**
TB1 GND	Data GND	White/Blue	TB15-1**
Harness Relay #1	COM	Blue	TB1-10
	N/O	White / Blue	TB1-11

Change Modbus settings by (1) navigating to the Setup Menu using the arrow keys on any of the operator menus. (2) Enter the setup menu password: '574'. (3) Select Genset Service > Modbus. (4) Enter the values or modify them in the Modbus Submenus as follows:  
 Enabled: On  
 Address: 1  
 Baud Rate: 9600  
 Parity: None  
 If different settings are required, please contact support.



\*If MODEM and signal lights turn off and data is lost after gen crank, this can indicate a brief loss of power. To correct, ensure red and black wires are connected directly to the battery posts.